

# Ballscrews

## Peeled Ballscrews

### 2.3.10 Driven Nut Unit AME

The threaded nut is supported by an axial-contact thrust ball bearing ZKLF...2Z. The preferred type is the downgraded PE version. The bearing is preloaded as defined with a series HIR slotted precision nut. The O-shape arrangement of the two lines of balls makes for high tilting rigidity. Any axial and radial forces are borne without problems. The thick-walled stable outer ring of the bearing is screwed directly to the bearing block. No additional bearing bushing or bearing cover is used.

The oil-circuit lubrication supplies the bearing with lubricant. The ballscrew nut is lubricated via a radial bore in the spindle. For the downgraded axial-contact thrust ball bearing, only axial lubrication is possible. We're happy to develop a custom-made unit for any application to meet the respective installation requirements. A broad range of realized applications makes the perfect basis for solving your problem. Standard installation of the ZKLF bearing as shown with the extraction slot in the direction of the toothed belt wheel. Installation in reversed order is possible upon request.

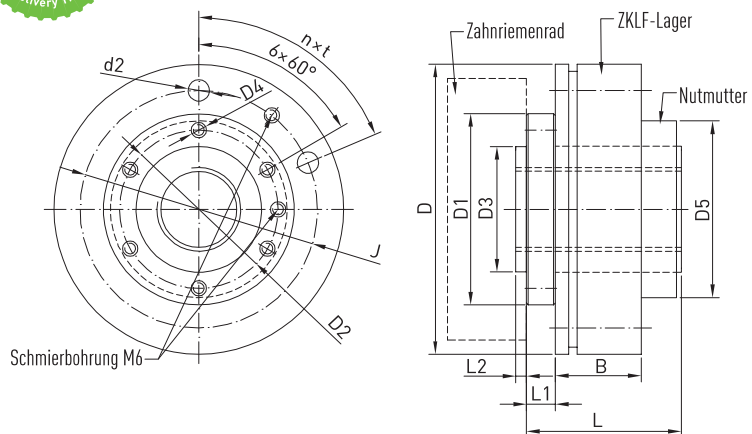


Table 2.15 Dimensions of nut unit

Article Number	Spindle Dimensions			Nut Dimensions								Bearing Dimensions				Dyn. Load $C_{dyn}$ [N]	Stat. Load $C_0$ [N]	r max. [r/min]	
	ds h6	P	dk	D1	D2	D3 h8	D4	D5	L	L1	L2	D -0,01	J	n x t	d2				B
R16-05T3-AME	16	5	13,5	50	40	30	M6	47	50	10	3	80	63	6x(60°)	6,5	28	9600	12700	4000
R20-05T4-AME	20	5	17,5	63	52	40	M6	60	60	12	5	100	80	4x(90°)	8,5	34	13900	21800	3300
R25-05T4-AME	25	5	22,5	76	60	50	M6	72	63	15	5	115	94	6x(60°)	8,5	34	15600	27900	3000
R25-10T3-AME	25	10	21,0	76	60	50	M6	72	74	15	5	115	94	6x(60°)	8,5	34	24100	36200	3000
R32-05T5-AME	32	5	29,5	76	62	50	M8	72	70	15	5	115	94	6x(60°)	8,5	34	20700	43900	3000
R32-10T4-AME	32	10	27,8	76	62	50	M8	72	105	15	5	115	94	6x(60°)	8,5	34	40900	63200	3000
R32-20T2-AME	32	20	27,8	76	62	50	M8	72	100	15	5	115	94	6x(60°)	8,5	34	20300	26800	3000
R40-05T5-AME	40	5	37,5	90	70	60	M8	82	76	15	5	145	120	8x(45°)	8,5	45	22500	54600	2400
R40-10T3-AME	40	10	35,8	90	70	60	M8	82	85	15	5	145	120	8x(45°)	8,5	45	37100	61900	2400
R40-20T2-AME	40	20	35,8	90	70	60	M8	82	105	15	5	145	120	8x(45°)	8,5	45	23800	36400	2400
R50-05T5-AME	50	5	47,5	100	84	70	M10	94	83	15	5	155	130	8x(45°)	8,5	45	24900	69800	2200
R50-10T4-AME	50	10	45,8	100	84	70	M10	94	95	15	5	155	130	8x(45°)	8,5	45	52800	106800	2200
R50-20T3-AME	50	20	45,8	100	84	70	M10	94	120	15	5	155	130	8x(45°)	8,5	45	40000	76200	2200
R63-10T6-AME	63	10	58,8	130	110	90	M10	122	120	20	7	190	165	8x(45°)	10,5	55	84700	210800	1800

- Reduced axial play on request
- Nuts with wipers
- Precision ground ball grooves
- Left-hand nuts on request

Order example: **R** **40** **05** **T5** **AME** **800** **860** **0,052**