

Ballscrews

Peeled Ballscrews

2.3.4 Flanged Single Nut DEB (DIN 69051 Part 5)

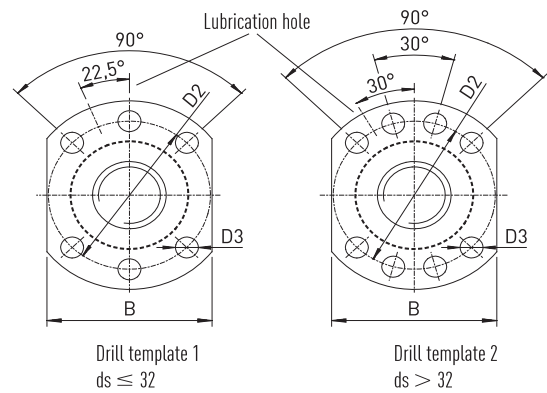
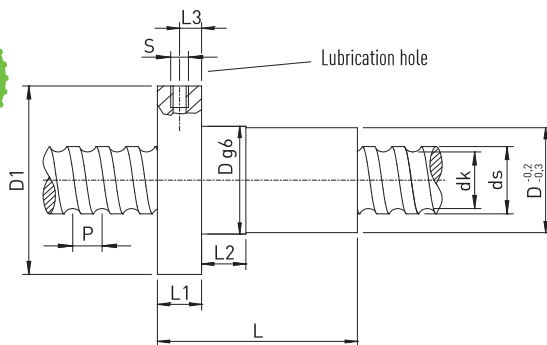


Table 2.9 Dimensions of the nut

Article number	ds h6	P	D g6	D1	D2	D3	L	L1	L2	L3	S	B	dk	Dyn. Load C _{dyn} [N]	Stat. Load C ₀ [N]	Axial play max. [mm]	Mass [kg/pc.]
R16-05T3-DEB	16	5	28	48	38	5,5	40	10	10	5,0	M6	40	13,5	9600	12700	0,02	0,17
R20-05T4-DEB	20	5	36	58	47	6,6	52	10	10	5,0	M6	44	17,5	13900	21800	0,02	0,31
R25-05T4-DEB	25	5	40	62	51	6,6	52	10	10	5,0	M6	48	22,5	15600	27900	0,02	0,32
R25-10T3-DEB	25	10	40	62	51	6,6	65	10	16	5,0	M6	48	21,0	24100	36200	0,02	0,35
R32-05T5-DEB	32	5	50	80	65	9,0	60	12	10	6,0	M6	62	29,5	20700	43900	0,02	0,68
R32-10T4-DEB	32	10	50	80	65	9,0	85	14	16	7,0	M6	62	27,8	40900	63200	0,02	0,82
R32-20T2-DEB	32	20	50	80	65	9,0	80	14	16	7,0	M6	62	27,8	20300	26800	0,02	0,68
R40-05T5-DEB	40	5	63	93	78	9,0	69	14	10	7,0	M8x1	70	37,5	22500	54600	0,02	1,13
R40-10T4-DEB	40	10	63	93	78	9,0	88	14	16	7,0	M8x1	70	35,8	46800	82600	0,02	1,13
R40-20T2-DEB	40	20	63	93	78	9,0	88	14	16	7,0	M8x1	70	35,8	23800	36400	0,03	1,14
R50-05T5-DEB	50	5	75	110	93	11,0	69	16	10	8,0	M8x1	85	47,5	24900	69800	0,02	1,45
R50-10T4-DEB	50	10	75	110	93	11,0	98	16	16	8,0	M8x1	85	45,8	52800	106800	0,02	1,65
R50-20T3-DEB	50	20	75	110	93	11,0	114	16	16	8,0	M8x1	85	45,8	40000	76200	0,03	1,95
R63-10T6-DEB	63	10	90	125	108	11,0	120	18	16	9,0	M8x1	95	58,8	84700	210800	0,04	3,05
R63-20T4-DEB	63	20	95	135	115	13,5	150	20	25	10,0	M8x1	100	55,4	105000	250000	0,04	3,85
R63-20T5-DEB	63	20	95	135	115	13,5	175	20	25	10,0	M8x1	100	55,4	125000	300000	0,04	4,30
R63-20K6-DEBH	63	20	125	165	145	13,5	170	25	25	12,0	M8x1	130	50,2	245700	783300	0,04	13,60
R80-10T6-DEB	80	10	105	145	125	13,5	120	20	16	10,0	M8x1	110	75,8	93400	269200	0,04	3,20
R80-20T4-DEB	80	20	125	165	145	13,5	160	25	25	12,0	M8x1	130	72,4	135000	322000	0,05	8,95
R80-20T5-DEB	80	20	125	165	145	13,5	175	25	25	12,0	M8x1	130	72,4	161500	398000	0,05	9,25
R80-20K6-DEBH	78	20	135	175	155	13,5	170	25	25	12,5	M8x1	140	68,2	280000	720000	0,05	13,00
R80-20K7-DEBH	78	20	135	175	155	13,5	190	25	25	12,5	M8x1	140	68,2	320000	820000	0,05	14,30

- Reduced axial play on request
- DIN nuts for peeled ballscrew spindles
- Mating dimensions to DIN 69051 Part 5
- Nuts with dust wipers
- Precision ground ball grooves
- Left-hand nuts on request
- Nut-housing (page 111)

Order example: **R** **63** **10** **T6** **DEB** **3850** **3972** **0,052**