

Ballscrews

Accessory

2.4.6 Bearing Series BK / BF

2.4.6.1 Fixed bearing FK

The corresponding supported bearing is the bearing series FF (page 117). The correct end machining for the fixed bearing is type E8-xx (page 106).

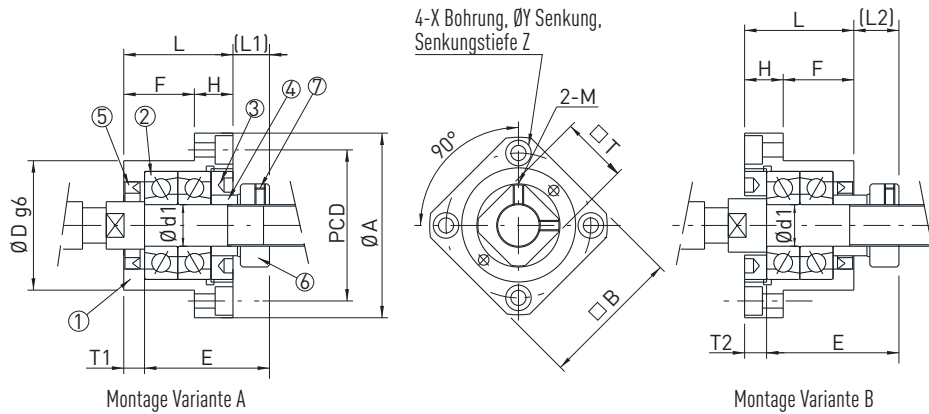


Table 2.40 Dimensions of the bearing

Article number	Spindle Ø	d1	L	H	F	E	D g6	A	PCD	B	Mounting variant A		Mounting variant B		X	Y	Z	M	T	G	Q
											L1	T1	L2	T2							
FK-08	12	8	23	9	14	26	28	43	35	35	7	4	10	7	3,4	6,5	4	M3	14	-	-

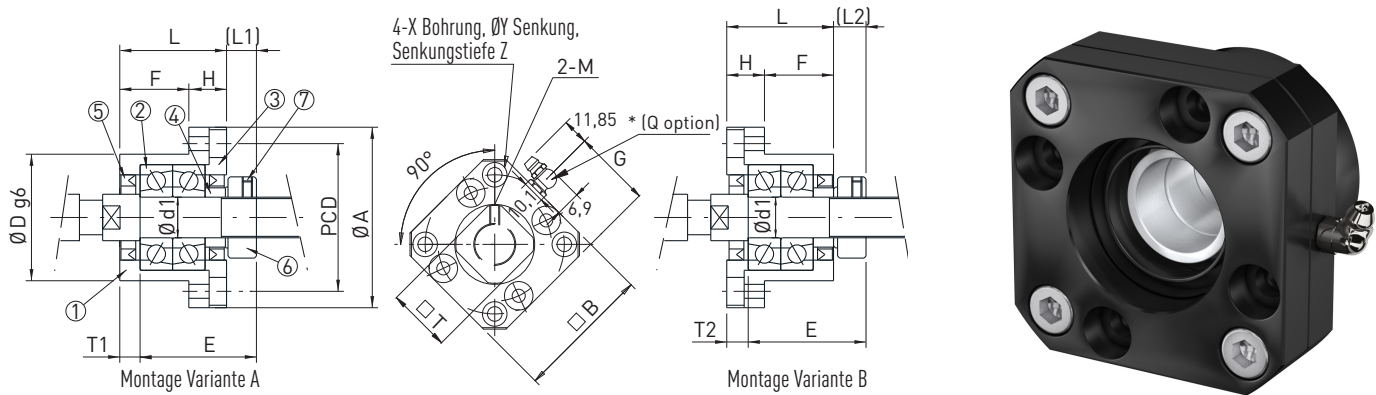


Table 2.41 Dimensions of the bearing

Article number	Spindle Ø	d1	L	H	F	E	D g6	A	PCD	B	Mounting variant A		Mounting variant B		X	Y	Z	M	T	G	Q
											L1	T1	L2	T2							
FK10	12*	10	27	10	17	29,5	34	52	42	42	7,5	5	8,5	6	4,5	8	4	M3	16	-	-
FK12	16	12	27	10	17	29,5	36	54	44	44	7,5	5	8,5	6	4,5	8	4	M4	19	-	-
FK15	20	15	32	15	17	36	40	63	50	52	10	6	12	8	5,5	9,5	6	M4	22	-	-
FK20	25	20	52	22	30	50	57	85	70	68	8	10	12	14	6,6	11	10	M4	30	34	M6
FK25	32	25	57	27	30	60	63	98	80	79	13	10	20	17	9	15	13	M5	35	39	M6
FK30	40	30	62	30	32	61	75	117	98	93	11	12	17	18	11	17,5	15	M6	40	46	M6

(1) housing, (2) bearing, (3) cover plate, (4) supporting ring, (5) seal, (6) locknut, (7) allen set screw

*depending to the effective spindle-diameter.

Table 2.42 **Technical data of the bearing**

Article number	Bearing	Static Load C_0 [N]	Dynamic Load C_{dyn} [N]	Max. Axial Load [N]	Max. Speed [r/min]
FK-08	708	4800	2800	1000	40000
FK-10	7000A P0	8800	5200	1900	24000
FK-12	7001A P0	9400	6000	2200	22000
FK-15	7002A P0	10000	6900	2400	19000
FK-20	7204B P0	21600	15300	6800	9500
FK-25	7205B P0	24000	19000	8100	8500
FK-30	7206B P0	33500	27000	10600	7100

2.4.6.2 Supported bearing FF

The corresponding fixed bearing is the bearing series FK (page 116). The correct end machining for the supported bearing is type E10-xx (page 106).

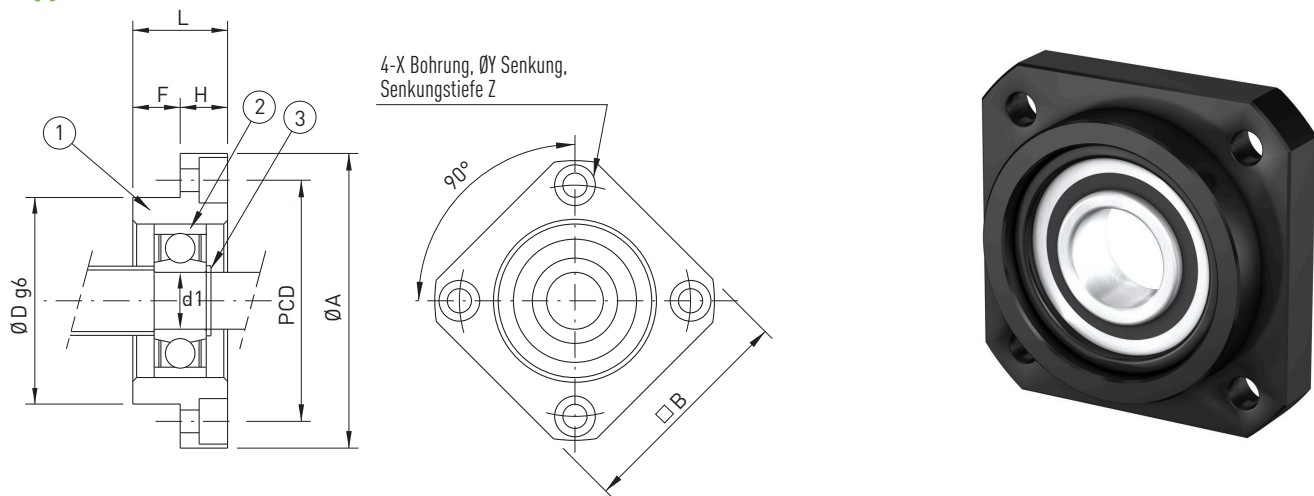


Table 2.43 **Dimensions of the bearing**

Article number	Spindle Ø	d1	L	H	F	D g6	A	PCD	B	X	Y	Z	Bearing	Circlip
FF10	12*	8	12	7	5	28	43	35	35	3,4	6,5	4	608ZZ	S 08
FF12	16	10	15	7	8	34	52	42	42	4,5	8	4	6000ZZ	S 10
FF15	20	15	17	9	8	40	63	50	52	5,5	9,5	5,5	6002ZZ	S 15
FF20	25	20	20	11	9	57	85	70	68	6,6	11	6,5	6204ZZ	S 20
FF25	32	25	24	14	10	63	98	80	79	9	14	8,5	6205ZZ	S 25
FF30	40	30	27	18	9	75	117	95	93	11	17	11	6206ZZ	S 30

(1) housing, (2) bearing, (3) circlip

*depending to the effective spindle-diameter.